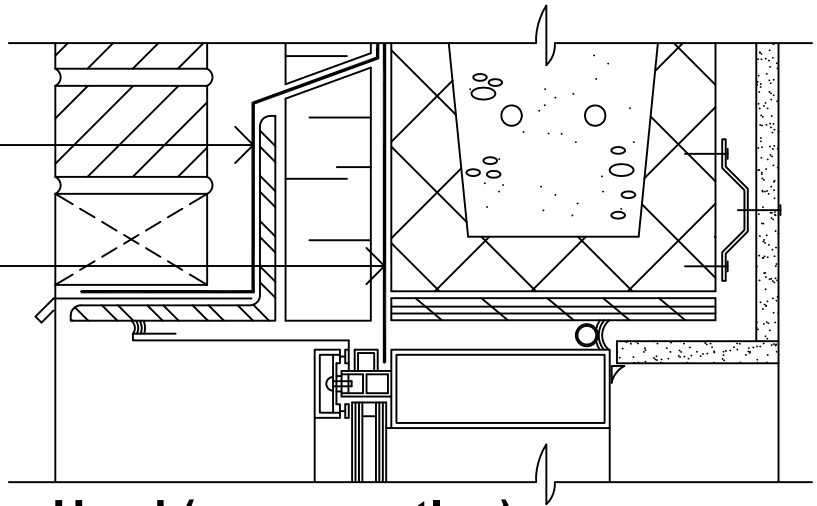


Blueskin® TWF
Thru-Wall Flashing
Sheet

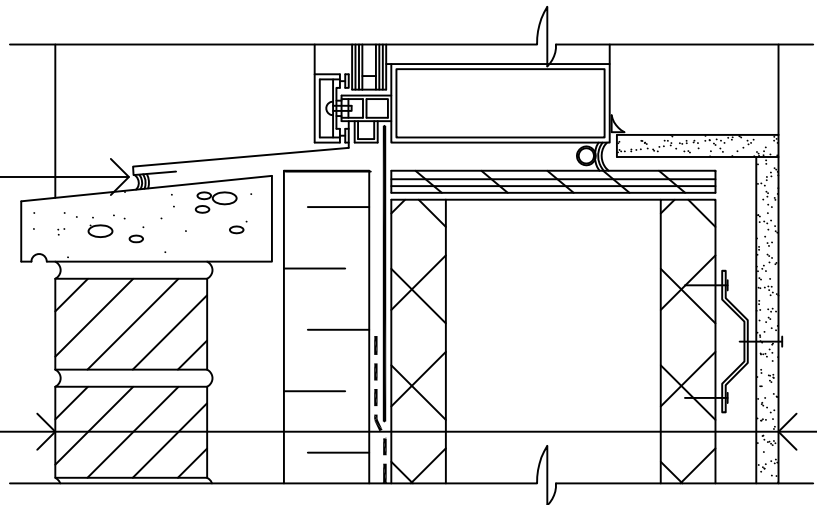
Blueskin® SA
Transition Sheet



Head (cross-section)

HE 925 BES Sealant
(or) Polybitume® 570-05

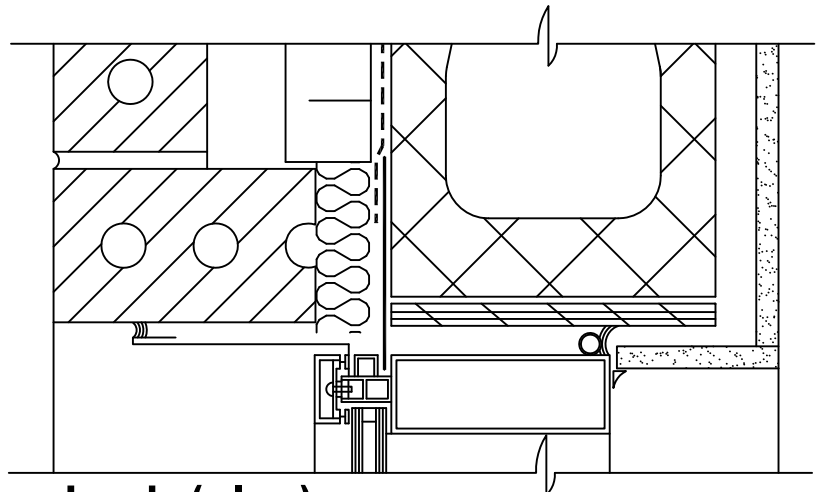
Brick Veneer
Air Space
Insulation
Air-Bloc 06, 21 or 32MR
Concrete Masonry Unit
Furring
Gypsum Board



Sill (cross-section)

Notes:

1. A continuous plane of air tightness is achieved when the window frame thermal break and air/vapour barrier are well integrated.
2. Extend Blueskin into window frame and clamp tight.



Jamb (plan)

Air-Bloc 06, 21 or 32MR

**WINDOW B
DETAILS**

BRICK VENEER / CONC. BLK. WALL

Scale: N.T.S.

Plot: 1:5

Issued: 08-14-97

Revision: 07

AB-12B96



15 Walsend Drive, Toronto ON M1E 3X6
Technical Services - 800-486-1278
Email: techservices@henry.com
www.ca.henry.com