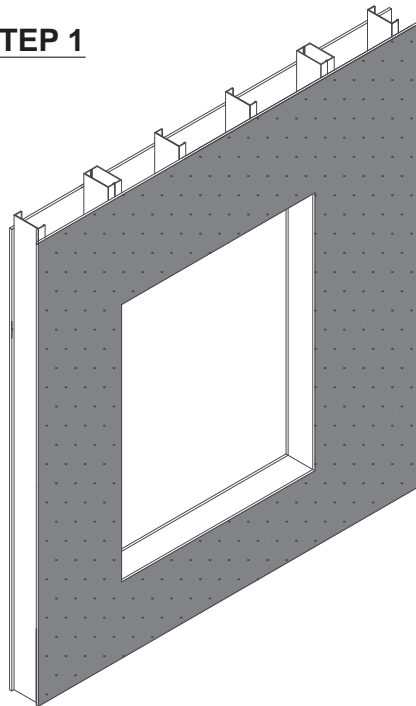


AIR-BLOC® 16MR REBATE WINDOW DETAIL GUIDELINES CONSIST OF TWO PARTS. REFER TO DETAIL AB16MR - 6B2B FOR CONTINUED STEPS 4-6.

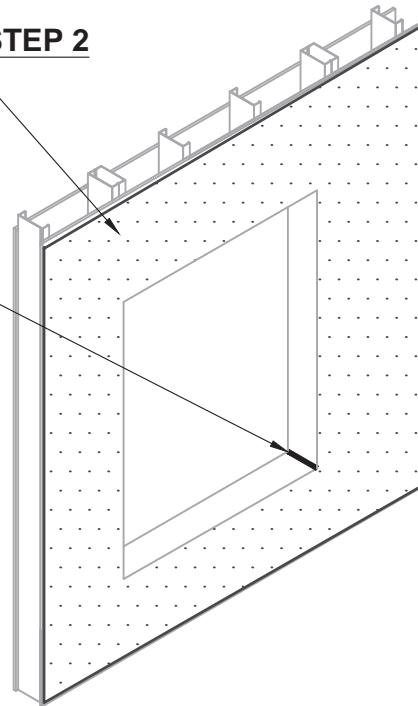
STEP 1



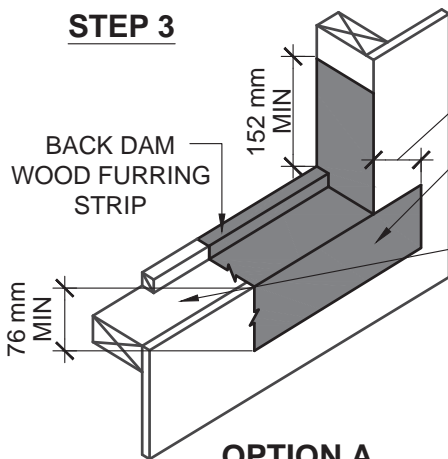
STEP 2

AIR-BLOC® 16MR

APPLY A BEAD OF **POLYBITUME® 570-05, 925 BES SEALANT, OR AIR-BLOC® LF** AT ROUGH OPENING CORNER INTERFACE. (ALLOW **POLYBITUME® 570-05** TO CURE PRIOR TO SUBSEQUENT FLASHING INSTALLATION.)



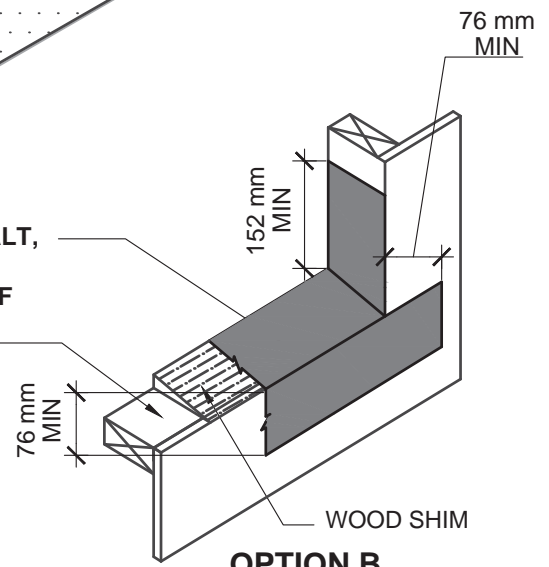
STEP 3



OPTION A

BLUESKIN® SA, BLUESKIN® SALT, BLUESKIN® BUTYL FLASH, FOILSKIN®, OR AIR-BLOC® LF

ROUGH OPENING SILL



OPTION B

NOTES:

1. DETAIL SHOWS **AIR-BLOC® 16MR** ASSEMBLY INSTALLED OVER EXTERIOR GRADE GYPSUM SHEATHING. OTHER ACCEPTABLE SUBSTRATES INCLUDE PLYWOOD, OSB, CONCRETE, AND CONCRETE BLOCK.
2. WINDOW INSTALLATION REQUIREMENTS TO BE VERIFIED BY DESIGN PROFESSIONAL.
3. INSULATION AND CLADDING NOT SHOWN FOR CLARITY.
4. WHERE REQUIRED PRIME SUBSTRATE PRIOR TO SELF-ADHERED FLASHING INSTALLATION. REFER TO PRODUCT SPECIFIC TECHNICAL DATA SHEET (TDS) FOR PRIMER PRODUCT AND APPLICATION RATE RECOMMENDATIONS.
5. REFER TO **AIR-BLOC® 16MR** GUIDE SPECIFICATION FOR RECOMMENDED INSTALLATION PROCEDURES.

Henry®

15 Wallsend Drive,
Scarborough, Ontario, M1E 3X6
800-486-1278 • www.henry.com

MANUFACTURER GUIDE DETAILS ARE FOR REFERENCE ONLY. HENRY® DOES NOT ASSUME RESPONSIBILITY FOR ERRORS OR DEVIATIONS IN DESIGN OR ENGINEERING. PROJECT SPECIFIC VERIFICATION IS RECOMMENDED PRIOR TO INSTALLATION.

AIR-BLOC® 16MR AIR AND VAPOUR BARRIER

REBATE WINDOW

METHOD B - **AIR-BLOC® 16MR** INSTALLED
AFTER FLASHING - PART 1 OF 2

SCALE: N.T.S.

10-25-2016

AB16MR-6B2A