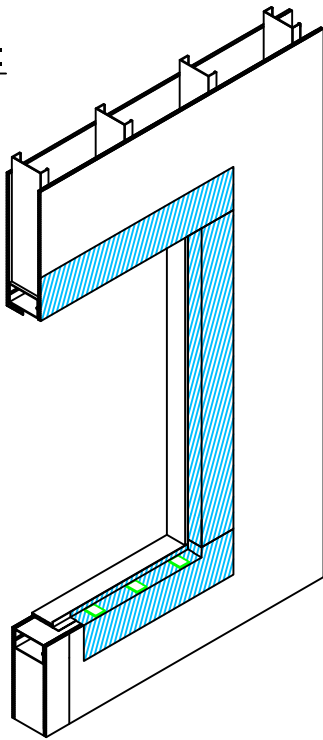
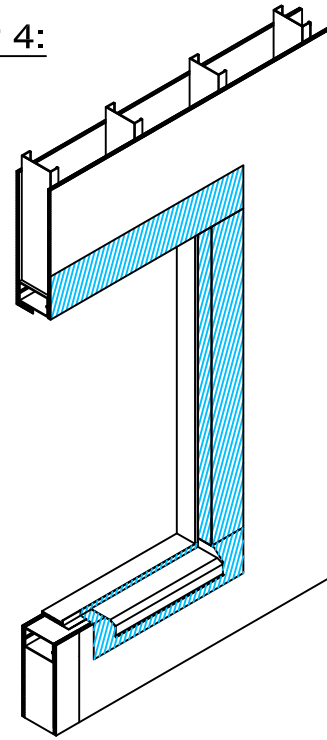


STEP 3:



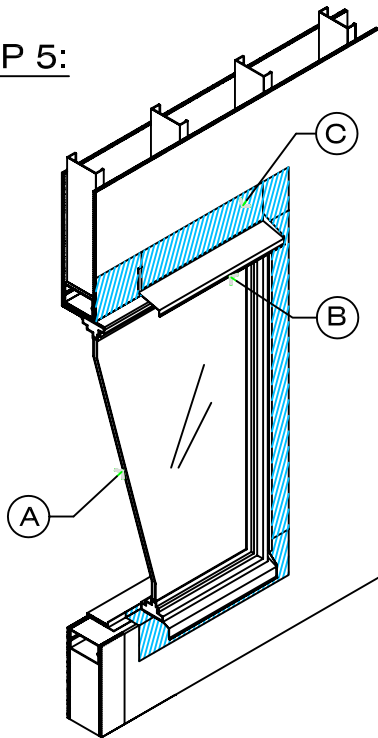
INSTALL INTERMITTENT SHIMS AT WINDOW SILL TO PROVIDE LEVEL SUPPORT AS REQUIRED BY WINDOW MANUFACTURER.

STEP 4:



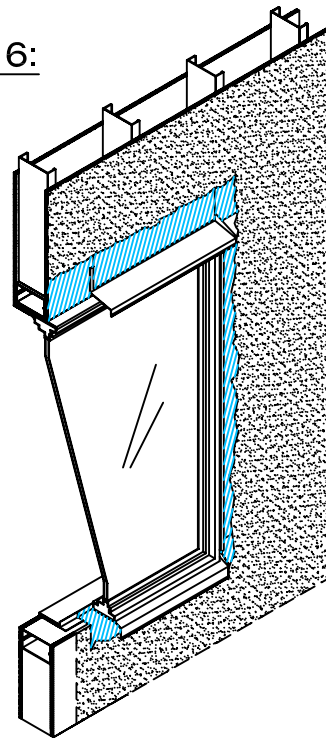
INSTALL METAL FLASHING AT SILL

STEP 5:



- A. INSTALL WINDOW
- B. INSTALL METAL HEAD FLASHING
- C. INSTALL BLUESKIN SA MEMBRANE OVER METAL FLASHING

STEP 6:



APPLY AIR-BLOC 17MR ONTO SHEATHING, LAPPING ONTO BLUESKIN SA AT WINDOW PERIMETER.

Henry
COMPANY®

AIR-BLOC 17MR AIR BARRIER MEMBRANE

SCALE: N.T.S.

STEEL STUD / REBATE WINDOW INSTALLATION

10-07-14

**SEQUENCE
DETAIL**

AB-H123B