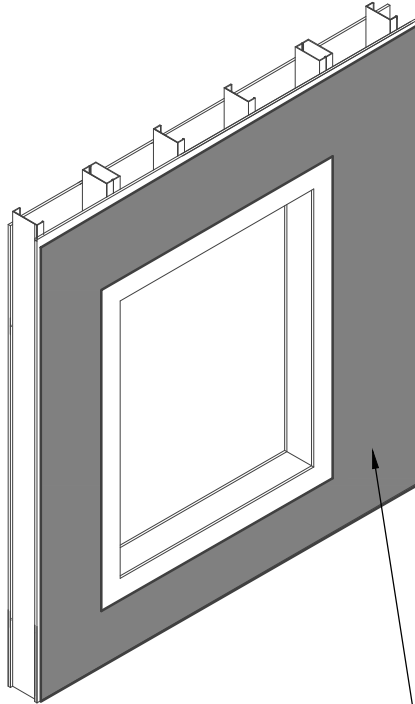


**BLUESKIN® VP160** FLANGED WINDOW DETAIL GUIDELINES CONSIST OF THREE PARTS. REFER TO DETAIL BSVP160 - 6C2 AND BSVP160 - 6C3 FOR CONTINUED STEPS 3-7.

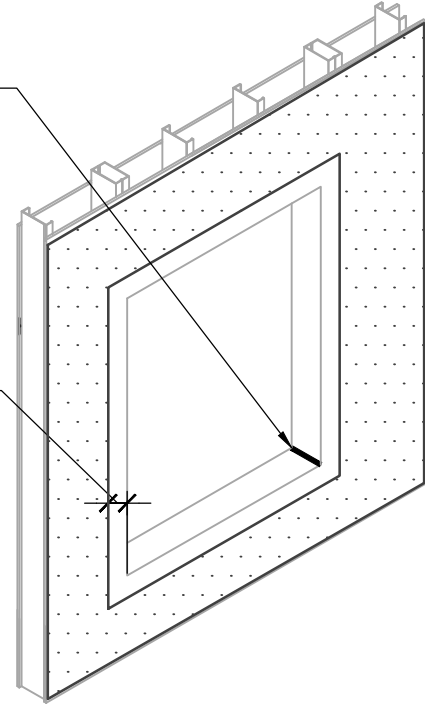
**STEP 1**



**STEP 2**

APPLY A BEAD OF **925 BES SEALANT** AT ROUGH OPENING CORNER INTERFACE

INSTALL **BLUESKIN® VP160** 50 mm MINIMUM FROM ROUGH OPENING



**BLUESKIN® VP160**

**NOTES:**

1. DETAIL SHOWS **BLUESKIN® VP160** ASSEMBLY INSTALLED OVER EXTERIOR GRADE GYPSUM SHEATHING. OTHER ACCEPTABLE SUBSTRATES INCLUDE PLYWOOD, OSB, CONCRETE, AND CONCRETE BLOCK.
2. WINDOW INSTALLATION REQUIREMENTS TO BE VERIFIED BY DESIGN PROFESSIONAL.
3. EXTEND SILL FLASHING 50 mm MINIMUM BEYOND EDGE OF **BLUESKIN® VP160**.
4. PRIME **BLUESKIN® VP160** WHERE SELF-ADHERED FLASHING LAPS ONTO **BLUESKIN® VP160** WHEN ENHANCED SEAM ADHESION IS DESIRED. RECOMMENDED PRIMERS/ADHESIVES INCLUDE: **BLUESKIN® LVC ADHESIVE, AQUATAC™ PRIMER, HI-TAC™ PRIMER, OR BLUESKIN® ADHESIVE.**
5. REFER TO **BLUESKIN® VP160** INSTALLATION GUIDELINES FOR RECOMMENDED INSTALLATION PROCEDURES.

**Henry**®

15 Wallsend Drive,  
Scarborough, Ontario, M1E 3X6  
800-486-1278 • www.henry.com

MANUFACTURER GUIDE DETAILS ARE FOR REFERENCE ONLY. HENRY® DOES NOT ASSUME RESPONSIBILITY FOR ERRORS OR DEVIATIONS IN DESIGN OR ENGINEERING. PROJECT SPECIFIC VERIFICATION IS RECOMMENDED PRIOR TO INSTALLATION.

**BLUESKIN® VP160 SELF-ADHERED WATER RESISTIVE AIR BARRIER**

**FLANGED WINDOW**

SELF-ADHERED OR LIQUID APPLIED FLASHING  
PART 1 OF 3

SCALE: N.T.S.

09-29-2016

**BSVP160 - 6C1**