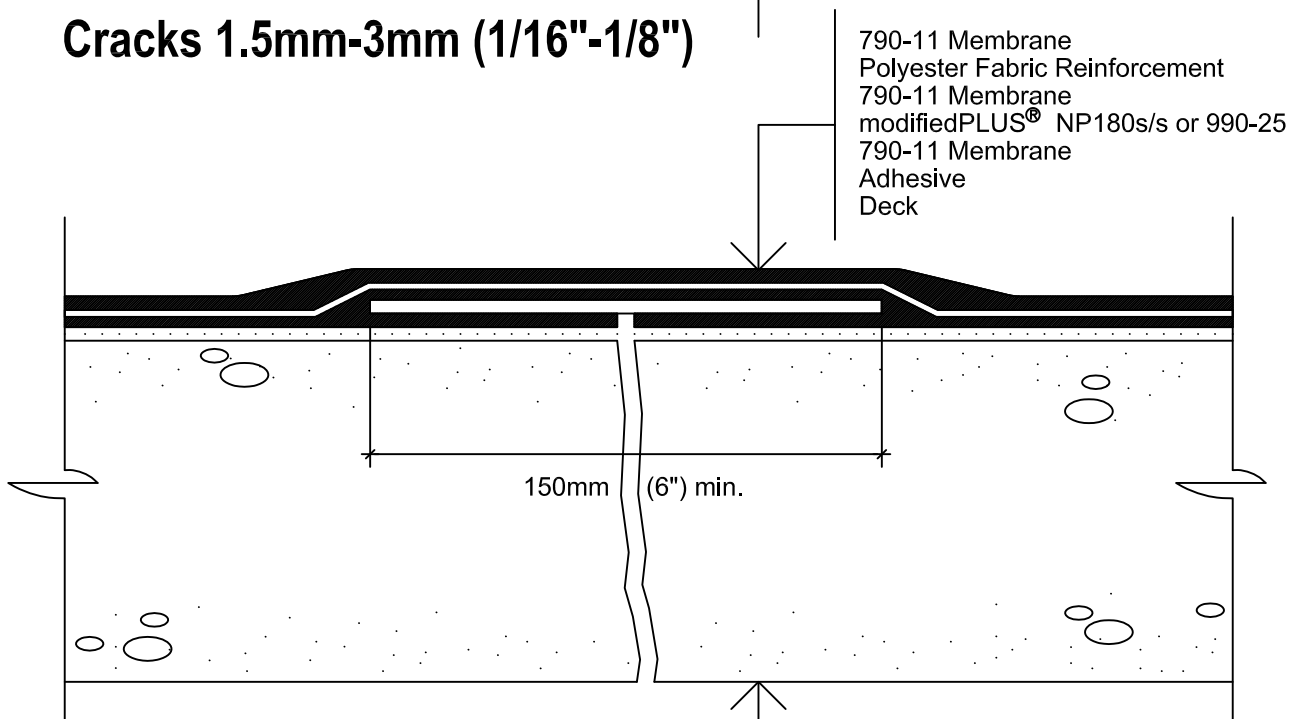


**Cracks 1.5mm-3mm (1/16"-1/8")**



**Cracks 3mm-12mm (1/8"-1/2")**

**Notes**

- 1. Cracks up to 1.5mm (1/16") wide require no special treatment.

790-11 Membrane P.M.R. Assembly

**CRACK  
TREATMENT**  
CONCRETE DECK

Scale: N.T.S.

Plot: 1:5

Issued: 05-14-97

Revision: 05

**HR-15E97**



15 Walsend Drive, Toronto ON M1E 3X6  
Technical Services - 800-486-1278  
Email: techservices@henry.com  
www.ca.henry.com