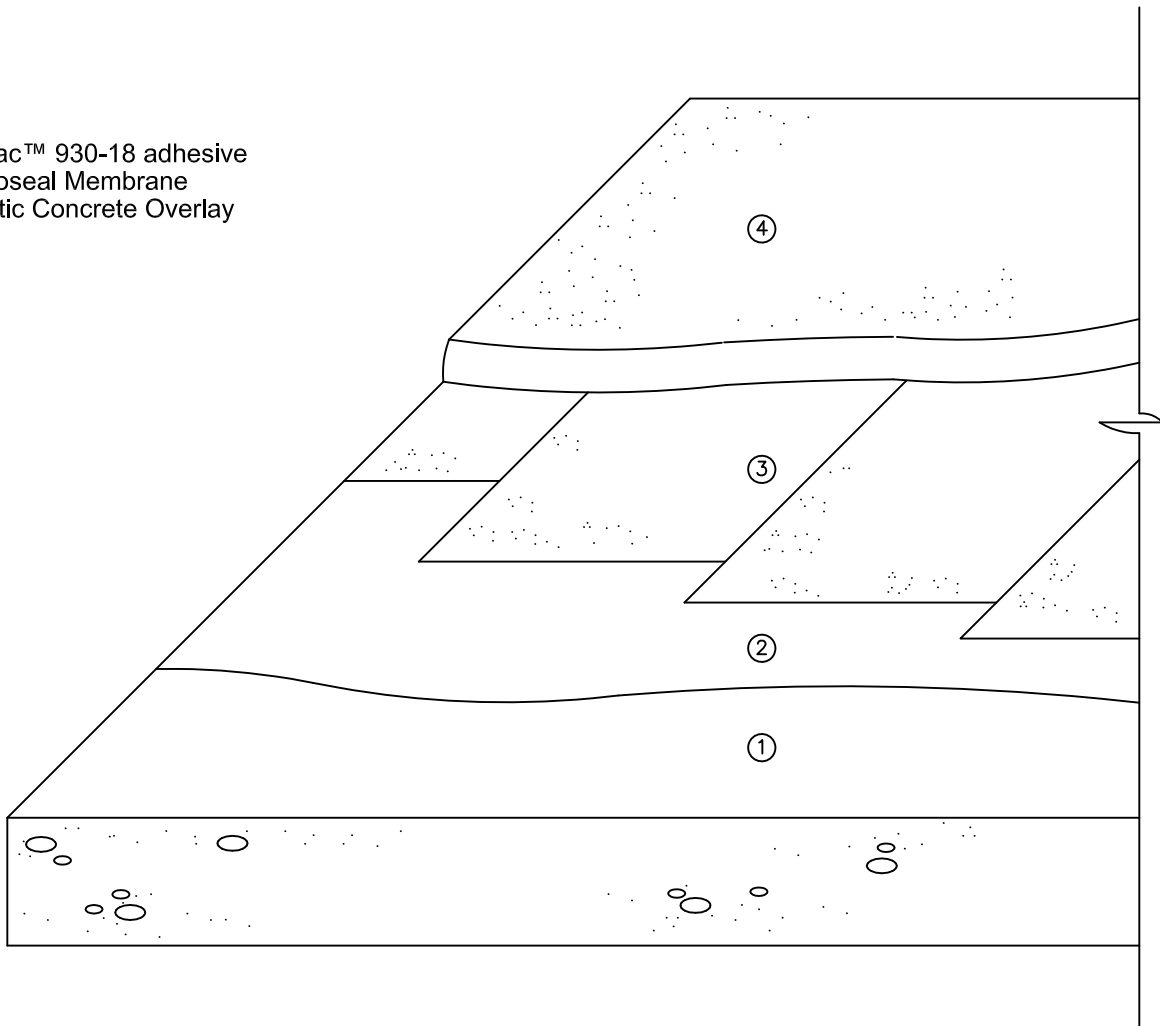


1. Deck
2. Poly-Tac™ 930-18 adhesive
3. Thermoseal Membrane
4. Asphaltic Concrete Overlay



Notes

1. The Thermoseal membrane is a thermofusible SBS modified bitumen membrane reinforced with a non-woven polyester mat.
2. Asphaltic concrete may be placed directly over the Thermoseal membrane without the need for protection board.

Thermoseal

SYSTEM DETAIL

CONCRETE DECK

Scale: N.T.S.

Plot: 1:5

Issued: 02-14-98

Revision: 04

TS-1B98



15 Walsend Drive, Toronto ON M1E 3X6
 Technical Services - 800-486-1278
 Email: techservices@henry.com
 www.ca.henry.com