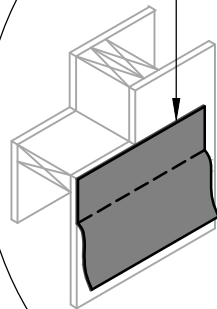
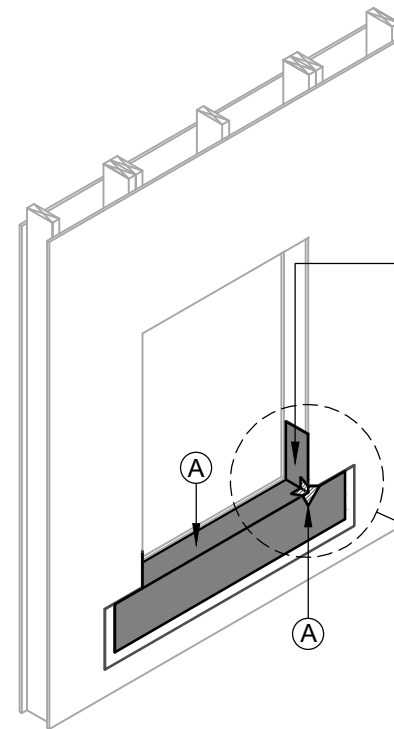


1 SILL FLASHING PREPARATION



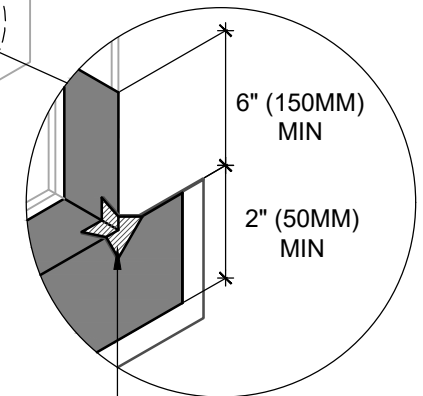
SELF-ADHERED FLASHING:

1. REMOVE RELEASE PAPER AT TOP OF FLASHING AND ADHERE TOP OF FLASHING INTO PLACE
2. LEAVE BOTTOM OF RELEASE PAPER INTACT TO PROTECT ADHESIVE FROM DIRT AND DEBRIS
3. INTEGRATE FLASHING WITH WRB IN STEP #7



2 SILL FLASHING INSTALLATION

SELF-ADHERED FLASHING:
FIRMLY ROLL FLASHING ONTO SURFACE



SELF-ADHERED BOW TIE FLASHING

Henry RESIDENTIAL AND LIGHT COMMERCIAL WEATHER-RESISTIVE BARRIER ASSEMBLY



HENRY 1-2-3 MOISTURE CONTROL SYSTEM WEATHER-RESISTIVE BARRIER (WRB) INSTALLATION GUIDELINES

NOTES

1. THE DEPICTED DETAIL SHOWS ONE OF THE SEVERAL COMMONLY ACCEPTED METHODS OF WINDOW INSTALLATION.
2. VISIT WWW.HENRY.COM/WARRANTY FOR ELIGIBILITY REQUIREMENTS OF THE 15-YEAR RESIDENTIAL AND LIGHT COMMERCIAL HENRY 1-2-3 MOISTURE CONTROL SYSTEM WARRANTY.
3. HENRY OFFERS **BLUESKIN VP100** IN THE UNITED STATES AND CANADA. PRODUCT AVAILABILITY AND WARRANTY OPTIONS MAY VARY BY LOCATION. REFER TO THE HENRY **BLUESKIN VP100** GUIDE SPECIFICATION FOR RECOMMENDED FLASHINGS, SEALANTS, AND SYSTEM INFORMATION.

WEATHER-RESISTIVE BARRIER (WRB) COMPONENTS

- (A) HENRY SELF-ADHERED FLASHING
- (B) HENRY MOISTOP SEALANT
- (C) HENRY SELF-ADHERED OR HENRY LIQUID APPLIED FLASHING
- (D) BLUESKIN VP100



999 N. Pacific Coast Highway, Suite 800
El Segundo, CA 90245
800-486-1278 • www.henry.com

BLUESKIN VP100 SELF-ADHERED AIR BARRIER FLANGED WINDOW - METHOD A WINDOW INSTALLATION WITH PAN FLASHING AT SILL FLASHING INSTALLED BEFORE WRB - INSTALLATION SEQUENCE

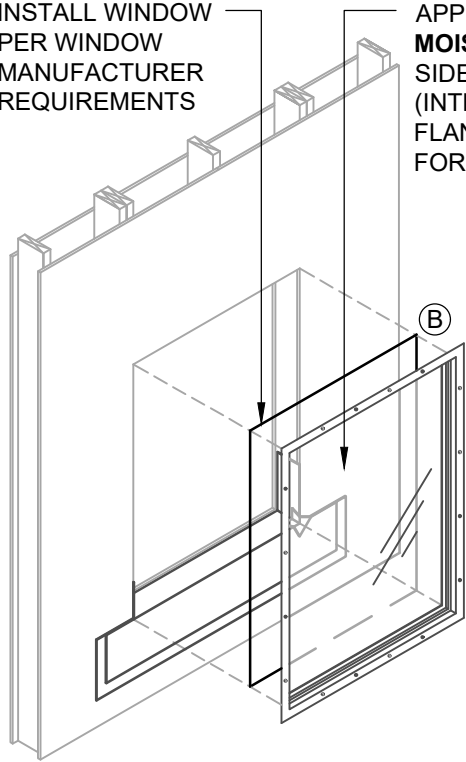
MANUFACTURER INSTALLATION GUIDELINES ARE FOR REFERENCE ONLY. HENRY DOES NOT ASSUME RESPONSIBILITY FOR ERRORS OR DEVIATIONS IN DESIGN OR ENGINEERING. PROJECT SPECIFIC VERIFICATION IS RECOMMENDED PRIOR TO INSTALLATION. DETAILS ARE NOT TO SCALE. REFER TO PRODUCT SPECIFIC TECHNICAL DATA SHEET FOR PRODUCT INFORMATION, RECOMMENDED AUXILIARY COMPONENTS AND INSTALLATION INSTRUCTIONS.

03-03-2022

PAGE 1 OF 2

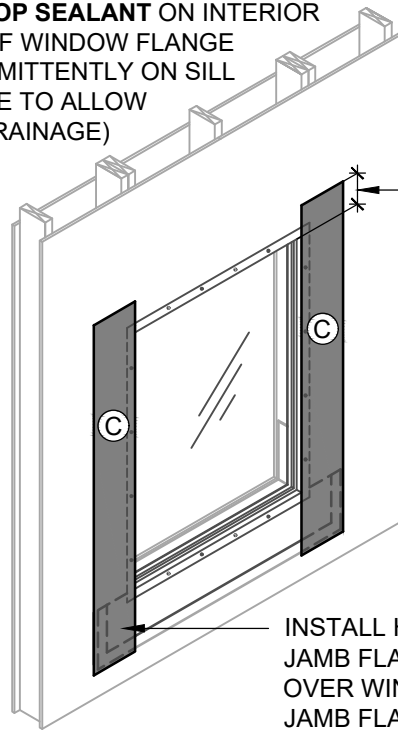
VPWRB-6A-P2

INSTALL WINDOW PER WINDOW MANUFACTURER REQUIREMENTS



4 WINDOW INSTALLATION

APPLY A 3/8" (10MM) BEAD OF **MOISTOP SEALANT** ON INTERIOR SIDE OF WINDOW FLANGE (INTERMITTENTLY ON SILL FLANGE TO ALLOW FOR DRAINAGE)

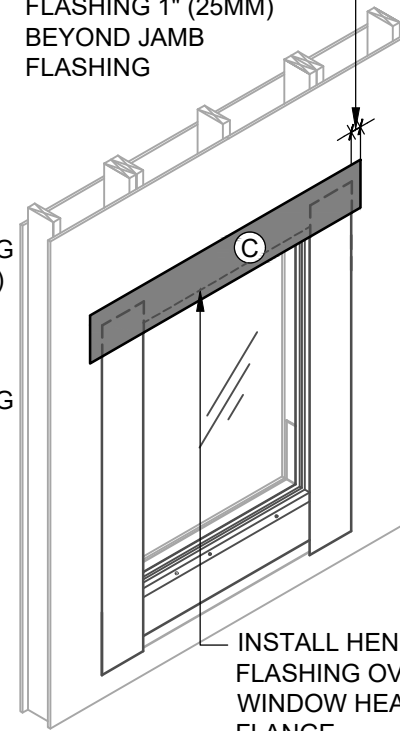


5 JAMB FLASHING INSTALLATION

INSTALL JAMB FLASHING 1" (25MM) BELOW TOP OF HEAD FLASHING

INSTALL HENRY JAMB FLASHING OVER WINDOW JAMB FLANGE

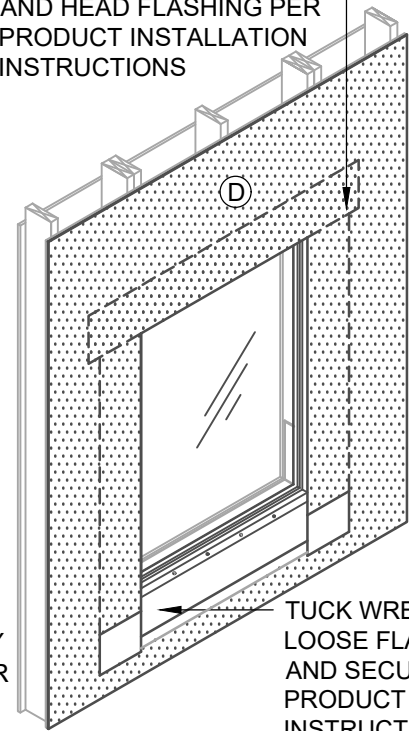
EXTEND HEADER FLASHING 1" (25MM) BEYOND JAMB FLASHING



6 HEADER FLASHING INSTALLATION

INSTALL HENRY FLASHING OVER WINDOW HEAD FLANGE

INSTALL WRB OVER JAMB AND HEAD FLASHING PER PRODUCT INSTALLATION INSTRUCTIONS



7 WEATHER-RESISTIVE BARRIER (WRB)

TUCK WRB UNDER LOOSE FLASHING AND SECURE PER PRODUCT SPECIFIC INSTRUCTIONS

INSTALLATION GUIDELINES AND LIMITATIONS

1. INSTALLATION "METHOD A" REFERS TO COMMON WINDOWS (SURFACE MOUNTED). INSTALL WINDOW PER WINDOW MANUFACTURER REQUIREMENTS.
2. AS A BEST PRACTICE, SLOPE SILL PRIOR TO FLASHING INSTALLATION TO PROMOTE POSITIVE DRAINAGE. USE BACKDAM IN LIEU OF SHIM AS REQUIRED.
3. SEE PRODUCT SPECIFIC TECHNICAL DATA SHEET FOR ROLL SIZES, MAXIMUM UV EXPOSURE, COMPATIBILITY CONCERNS, APPLICATION TEMPERATURES AND SERVICE TEMPERATURE LIMITATIONS.
4. REFER TO THE HENRY **BLUESKIN VP100** GUIDE SPECIFICATION FOR RECOMMENDED FLASHINGS.
5. FLASHINGS MAY NOT BE COMPATIBLE WITH ALL SEALANTS. USE SEALANT AS INDICATED OR VERIFY COMPATIBILITY AS DIRECTED IN AAMA 713.
6. PROVIDE INTERIOR AIR AND WATER SEAL AT WINDOW PERIMETER PER WINDOW MANUFACTURER RECOMMENDATIONS.
7. SUBSTRATES MUST BE CLEAN AND DRY.
8. SELF-ADHERED MEMBRANES MAY REQUIRE A PRIMER FOR OPTIMAL ADHESION TO SOME SURFACES AND/OR SUBSTRATE TEMPERATURES.
9. ROLL SELF-ADHERED MEMBRANES TO OBTAIN CONTINUOUS ADHESION.
10. VERIFY WEATHER-RESISTIVE BARRIER IS FREE FROM PROTRUSIONS OR DAMAGE PRIOR TO CLADDING INSTALLATION.
11. CONTACT HENRY AT 800-773-4777 FOR TECHNICAL ASSISTANCE.



999 N. Pacific Coast Highway, Suite 800
El Segundo, CA 90245
800-486-1278 • www.henry.com

**BLUESKIN VP100 SELF-ADHERED AIR BARRIER
FLANGED WINDOW - METHOD A
WINDOW INSTALLATION WITH PAN FLASHING AT SILL
FLASHING INSTALLED BEFORE WRB - INSTALLATION SEQUENCE**

MANUFACTURER INSTALLATION GUIDELINES ARE FOR REFERENCE ONLY. HENRY DOES NOT ASSUME RESPONSIBILITY FOR ERRORS OR DEVIATIONS IN DESIGN OR ENGINEERING. PROJECT SPECIFIC VERIFICATION IS RECOMMENDED PRIOR TO INSTALLATION. DETAILS ARE NOT TO SCALE. REFER TO PRODUCT SPECIFIC TECHNICAL DATA SHEET FOR PRODUCT INFORMATION, RECOMMENDED AUXILIARY COMPONENTS AND INSTALLATION INSTRUCTIONS.

03-03-2022

PAGE 2 OF 2

VPWRB-6A-P2